



Bluetooth Cable Replacement Adapter LM048, LM048DTR and LM048SPA

Approved Printer Manufactures



Features

Supports Bluetooth Serial Port Profile and Generic Access Profile (SPP & GAP)

Multiple power supply options, 9th Pin, AC Mains via USB & Mini USB- USB

CSR BC04 EDR 2.0

Supports just over 100 meters (line of sight)

Unique Patented Firmware Enabling Serial Printer Functionality

Overview

Data transfer made easy with the Worlds Smallest RS232 Bluetooth Adapter. Our DB9 connector has a NUT fixed on one side and a Screw Fix on the other side. Mini USB Port can be used to power the unit from a mains adapter or from Mini USB-USB cable that both power options come with the unit.

Our new Patented Firmware means only the LM048 adapter has true signal response that allows data to flow in the same way that an RS232 Cable would perform. Our units are FCC, CE and RTTE certified.



2. Package

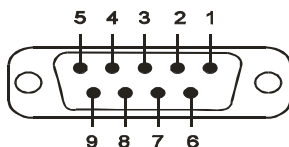
Bluetooth serial adaptor
 DB9 male to female converter
 USB cable for power supply
 DC adaptor
 User manual

3. General Specification

Specification	Description
Baud Rate	Supports 4.8/9.6/19.2/38.4/57.6/115.2/230.4 Kbps
Coverage	Up to 100 Meters
Connection	Point-to-point (pico net)
Signal	TxD, RxD, GND, DTR, and DSR
RS-232 Interface	D_SUB 9-pin female
Standard Bluetooth	Specification version 2.0+EDR
Frequency	2.400 to 2.4835 GHz
Hopping	1,600/sec, 1MHz channel space
Modulation	GFSK-1 Mbps, DQPSK-2 Mbps, and 8-DPSK-3 Mbps
Tx. Power	Max. 18 dBm (Class 1)
Rx. Sensitivity	-86 dBm typical
Antenna	Chip antenna
Antenna Gain	max. 1 to 2 dBi
Power Supply	+5 to +6 V DC
Current Consumption	Max. 90 mA
Operation Temperature	-20°C to +75°C
Dimensions	34 mm (W) x 36 mm (D) x 13 mm (H)



Pin-out



Signals

DTR & SPA SIGNALS

Pin	DTE Signal	DTE to DCE Direction	DCE to DTE Direction	Description
1	CD	Input	Output	Not connected
2	RxD	Input	Output	Received data
3	TxD	Output	Input	Transmitted data
4	DTR	Output	Input	Data Terminal Ready
5	GND	N/A	N/A	Signal ground
6	DSR	Input	Output	Data Set Ready
7	RTS	Output	Input	Loop to PIN 8
8	CTS	Input	Output	Loop to PIN 7
9	Vcc	Input	Input	Power supply

DCE SIGNALS

Pin	DTE Signal	DTE to DCE Direction	DCE to DTE Direction	Description
1	CD	Input	Output	Not connected
2	RxD	Input	Output	Received data
3	TxD	Output	Input	Transmitted data
4	DTR	Output	Input	Data Terminal Ready
5	GND	N/A	N/A	Signal ground
6	DSR	Input	Output	Data Set Ready
7	RTS	Output	Input	Request to send
8	CTS	Input	Output	Clear to send
9	Vcc	Input	Input	Power supply

Factory Settings

The factory settings of COM port are as follows:

Baud rate: 19200 bps

Data bit: 8

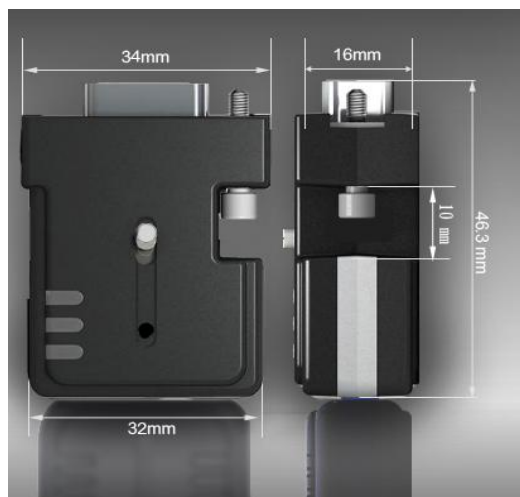
Parity: none

Stop bit: 1

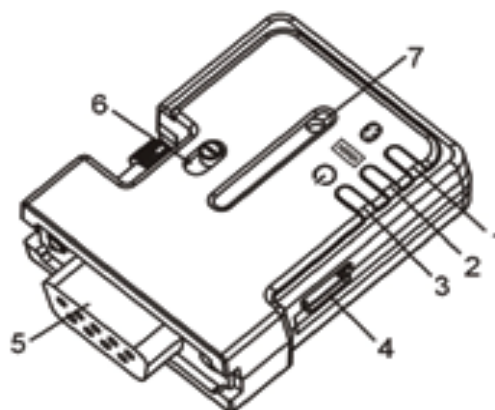
Flow control: H/W or none



Hardware Dimensions



Hardware Structure



1. Link LED	2. Data LED	3. Power LED	4. Mini USB connector
5. RS232 connector	6. Slide Switch	7. Reset Button	

Reset Button

By pressing the Reset button, you can:

- Disconnect and reconnect a wireless connection (after a short press).
- Restore the factory settings (after over three seconds' press).

Slide Switch

The slide switch can swap TXD/RXD and DTR/DSR signals. By switching, you can set the adaptor either as a DTE (towards antenna connector) or a DCE (towards RS232 connector).